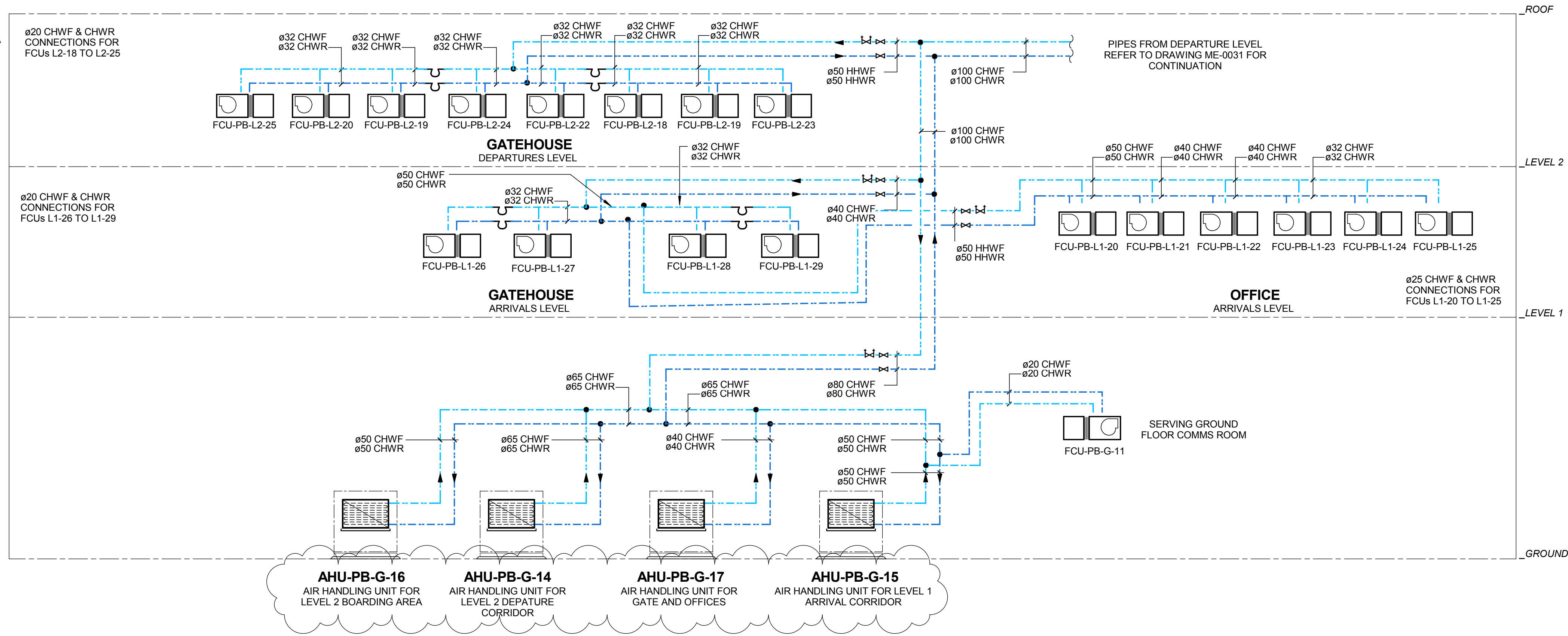
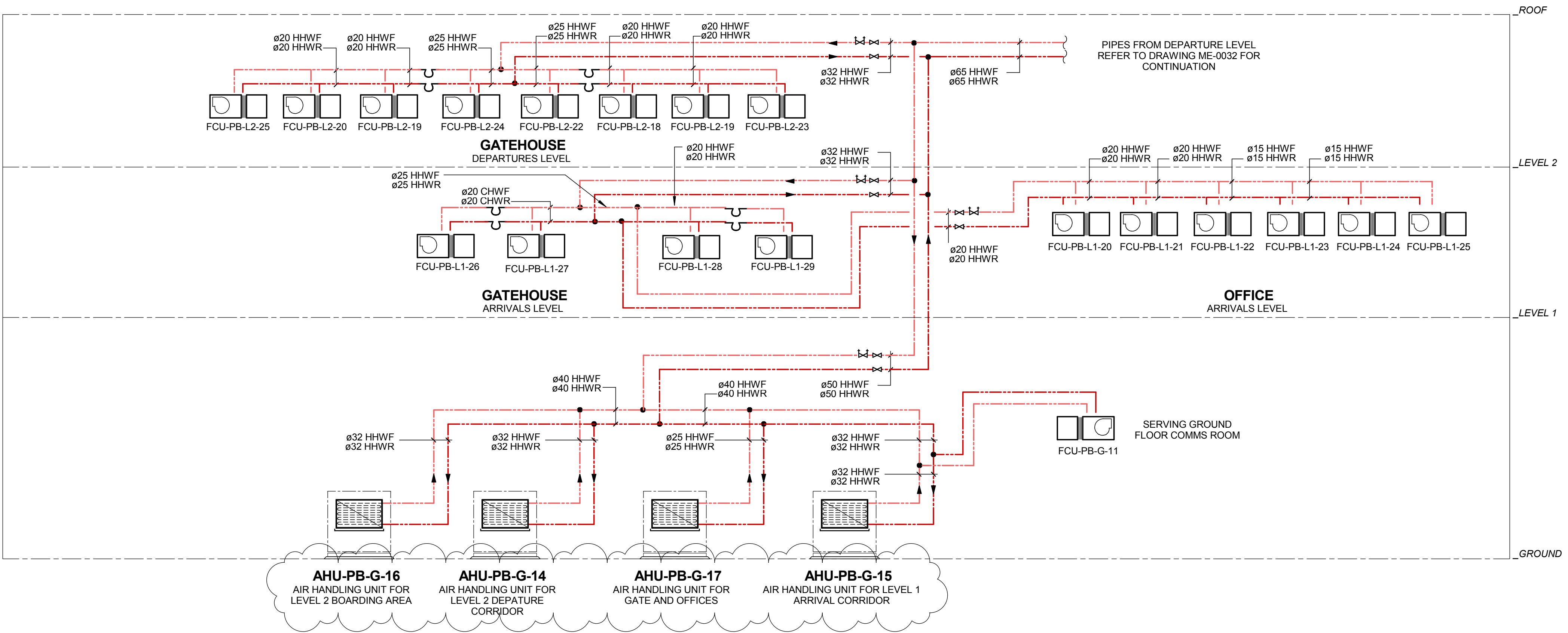


ISO A1 594mm x 841mm
Last Saved: 16/02/2017 10:30:27 a.m.
Filename: C:\Revit Projects\Revit 2015\604771\60-MEP-RVT2015-BUILDING-CENTRAL_hirasos.rvt

PART A



PART B



NOTES:

- TUNDISH BY HYDRAULICS TRADE. FLOOR DRAIN AND DRAIN LINE FROM FLOOR DRAIN BY HYDRAULICS TRADE.
- REFER TO DRAWING ME-0006 FOR STANDARD COIL CONNECTION DETAILS

REVISION NOTES:

- MECHANICAL EQUIPMENT NUMBERS REVISED

FOR CONSTRUCTION



PROJECT
AUCKLAND AIRPORT - PIER B



SCALE
NOT TO SCALE

PROJECT MANAGEMENT INITIALS		
MC	NF	SA
DESIGNER	CHECKED	APPROVED

ISSUE/REVISION		
I/R	DATE	DESCRIPTION
01	16/02/2017	FOR CONSTRUCTION
0	23/12/2016	FOR CONSTRUCTION

PROJECT NUMBER
91345

SHEET TITLE
MECHANICAL SERVICES CHW & HHW SCHEMATIC GATE 18

SHEET NUMBER
91345-ACM-DRG-ME-0036

CONSULTANT
AECOM New Zealand Limited
AECOM House, 8 Mahuhu Crescent
Auckland 1010, Auckland, NZ 1010
+64 9 967 9200 tel +64 9 967 9201 fax
www.aecom.com

CONSULTANT
Ground Floor, Mason Bros
139 Pakenham Street West
Wynyard Quarter
Auckland 1010
New Zealand
Phone + 64 9 309 4894

This drawing is confidential and shall only be used for the purpose of this project. The signing of this title block confirms the design and drafting of this project have been prepared and checked in accordance with the AECOM quality assurance system to ISO 9001-2000.