


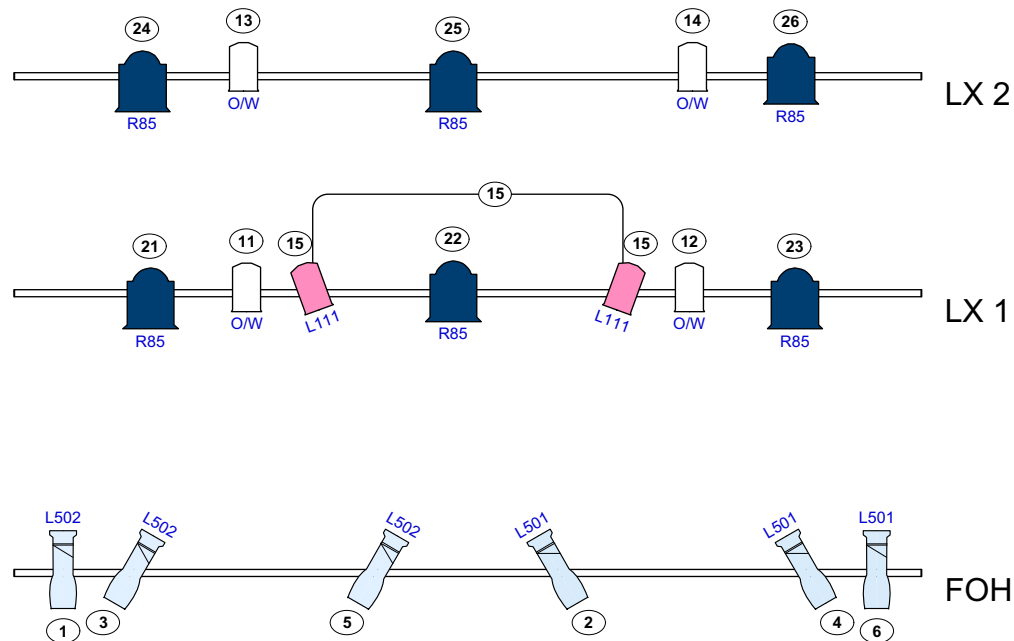
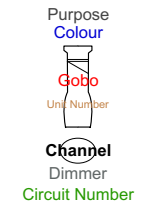


Symbol Key

Light

	2K Fresnel	6
	650w PC	6
	Pacific 12-28°	6

Typical



SHOW: Pwer Distribution Exercise
VENUE: Unitec Workshop

DIRECTOR: Peter Hall

DESIGNER: Robert LePage

LD: Nik Janiurek

Date drawn: 09/04/2019 Version 1

Scale: 1 : 50 @ A4

Drawn by: Nik Janiurek

Notes:

You have access to 2 dimmer packs and a 32A splitter,
But only one outlet of 32A 3 phase power.

Draw a power distribution plan for the lights above. You can use a desk that can soft patch.
Include what lights plug up to what dimmerr and how many amps they will draw.
e.g. dimmer 1 powers channel 1 (1 x 12-28 pacific). 1000w = 4A.